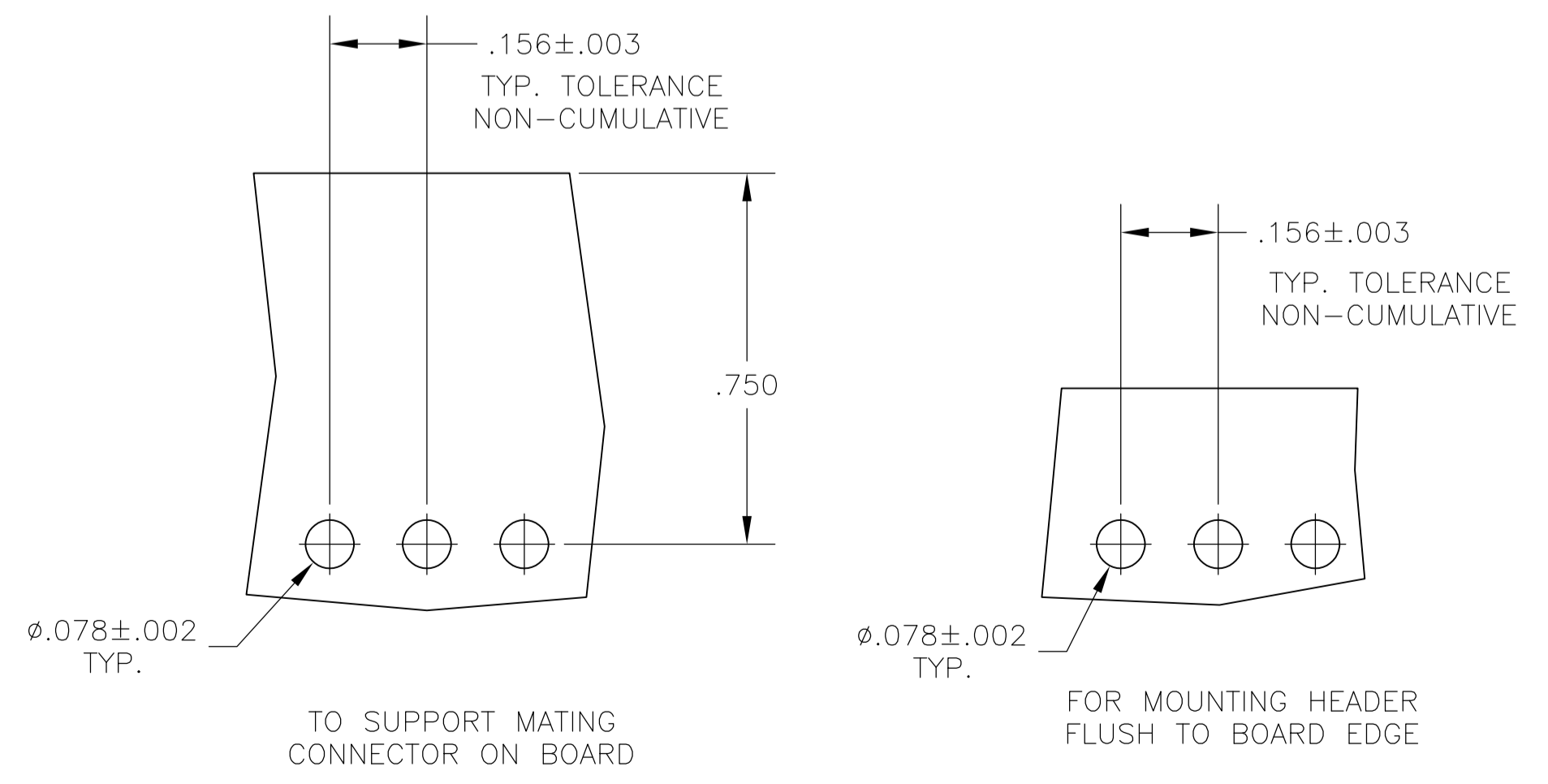
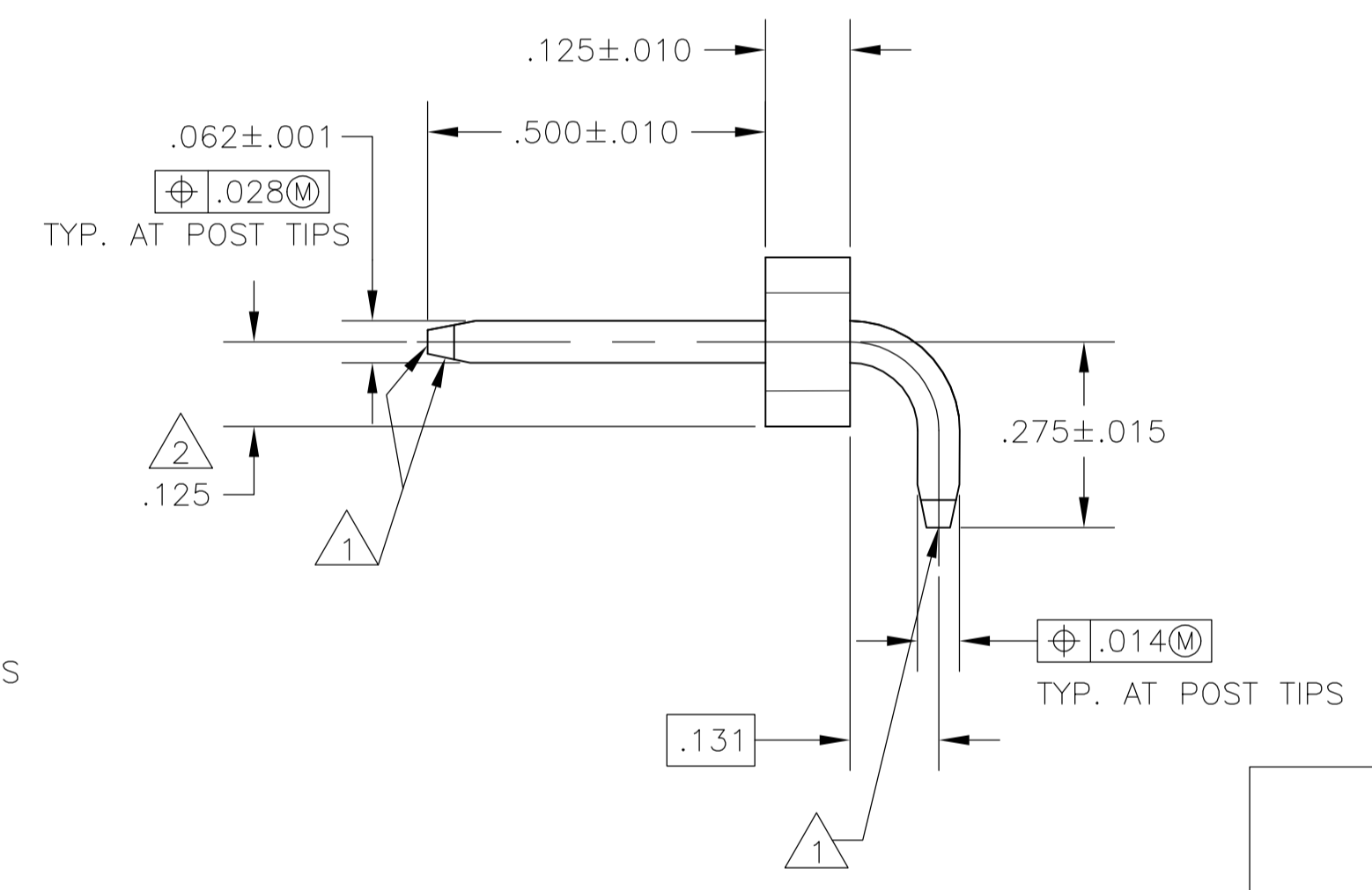
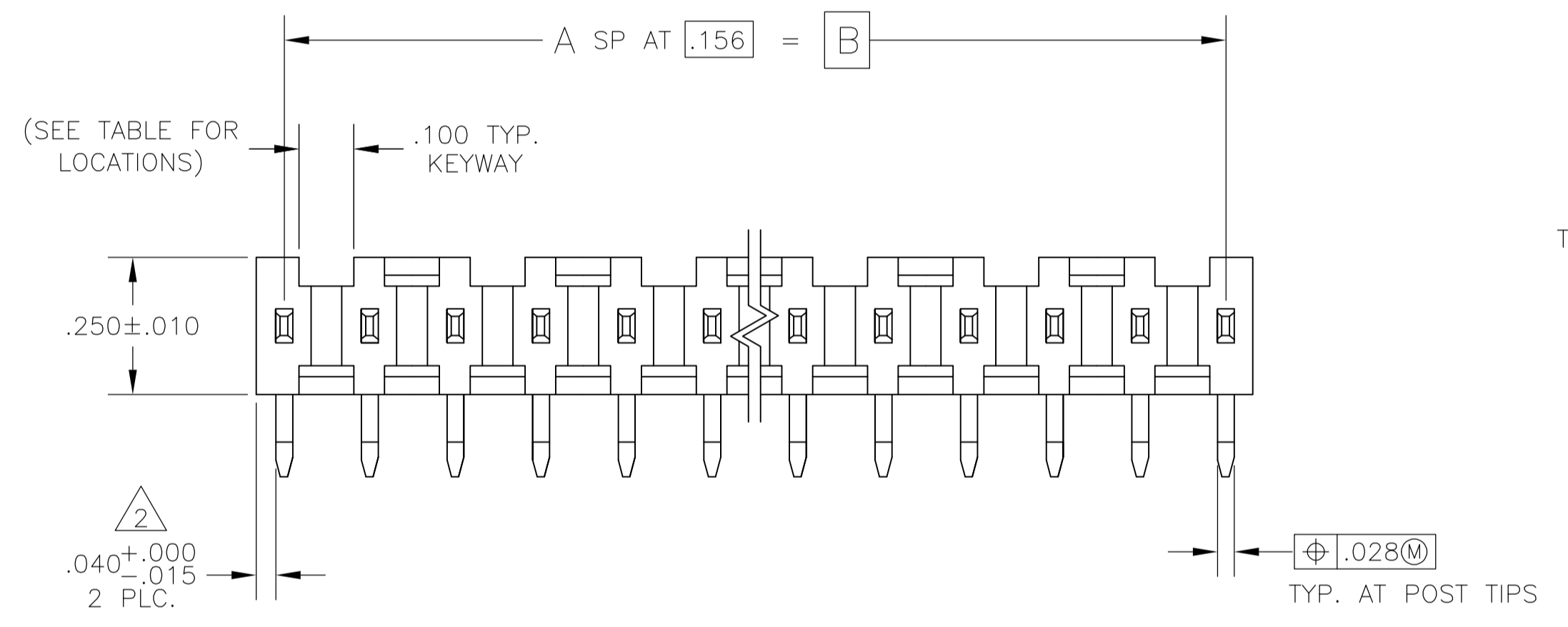
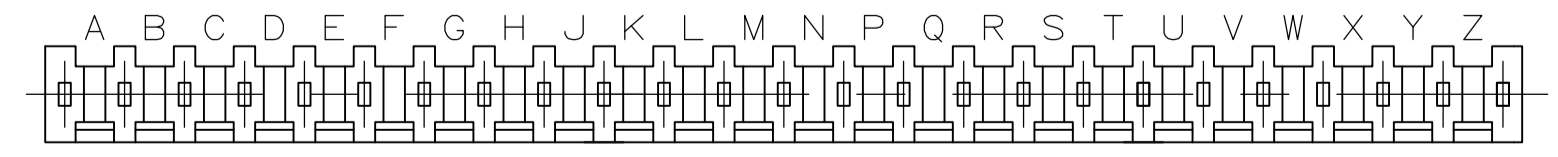


- 1 THE TIPS OF THE POSTS WILL NOT BE PLATED
- 2 THE NOTED DIMENSIONS APPLY AT THE INTERSECTION OF THE POST AND THE HOUSING
- 3 OBSOLETE PARTS: OBSOLETE CIS STREAMLINING PER D.RENAUD/D.SINISI



RECOMMENDED BOARD LAYOUT



KEYWAYS LOCATIONS (REF-SEE TABLE)
 (MATING LENGTH OF POST ON NEAR SIDE)
 SCALE 2:1

3 OBSOLETE	A,C,E,H,K,M,Q,S,U,W,Y	11	3.855	3.744	24	25	2-87258-5
	A,C,E,G,J,L,N,Q,S,U,W,Y	12	3.699	3.588	23	24	2-87258-4
	A,D,G,K,N,R,U,X	8	3.543	3.432	22	23	2-87258-3
	A,C,E,G,J,L,N,Q,S,U,W	11	3.387	3.276	21	22	2-87258-2
	A,D,G,K,N,R,U	7	3.231	3.120	20	21	2-87258-1
	A,C,E,G,J,L,N,Q,S,U	10	3.075	2.964	19	20	2-87258-0
	B,D,F,J,L,N,Q,S	8	2.919	2.808	18	19	1-87258-9
	A,D,F,J,M,P,S	7	2.763	2.652	17	18	1-87258-8
	A,D,G,K,N,R	6	2.607	2.496	16	17	1-87258-7
	A,C,E,G,J,L,N,Q	8	2.451	2.340	15	16	1-87258-6
	A,D,G,K,N	5	2.295	2.184	14	15	1-87258-5
	A,C,E,G,J,L,N	7	2.139	2.028	13	14	1-87258-4
	A,D,J,M	4	1.983	1.872	12	13	1-87258-3
	A,C,E,G,J,L	6	1.827	1.716	11	12	1-87258-2
	A,D,G,K	4	1.671	1.560	10	11	1-87258-1
	A,C,E,G,J	5	1.515	1.404	9	10	1-87258-0
	A,D,G	3	1.359	1.248	8	9	87258-9
	A,C,E,G	4	1.203	1.092	7	8	87258-8
	A,C,E	3	1.047	.936	6	7	87258-7
	A,C,E	3	.891	.780	5	6	87258-6
A,D	2	.735	.624	4	5	87258-5	
A,C	2	.579	.468	3	4	87258-4	
A	1	.423	.312	2	3	87258-3	
A	1	.267	.156	1	2	87258-2	
KEYWAY LOCATIONS		NO. OF KEYWAY	C	B	A	NO. OF POSN	ASSEMBLY PART NUMBER

THIS DRAWING IS A CONTROLLED DOCUMENT.

DIN H MOLL 3-23-88
 CHK ED TREFCE 3-23-88
 APVD ED TREFCE 3-23-88

tyco Electronics
 Tyco Electronics Corporation
 Harrisburg, Pa 17105-3608

NAME: HEADER ASSEMBLY, MOD 1, RIGHT ANGLE, SINGLE ROW, .156 C/L

PRODUCT SPEC: 108-25016

APPLICATION SPEC: A1 00779 C=87258

MATERIAL: FLAME RETARDANT THERMOPLASTIC COLOR: BLACK POSTS: BRASS
 FINISH: PRE-PLATED STOCK: .000015 GOLD OVER .000050 NICKEL

WEIGHT: --

SIZE: A1 00779 C=87258

CUSTOMER DRAWING SCALE: 4:1 SHEET: 1 OF 1 REV: M1